

## Self Contained Ice Machine 33 kg

Item #:
Project:
Quantity:



### FEATURES

- Produces individual Gourmet crystal clear ice cubes.
- Resistant stainless steel exterior.
- Advanced diagnostics computerized controls.
- Front panel in and out airflow (air-cooled model only) for built-in installation.
- Front access condenser air filter, removable and washable (air cooled model only).
- Ergonomically designed ice storage access, with disappearing door. Do-or-closing movement dampening system.
- Water system protected by patented anti-scale system.
- PWD - Progressive Water Discharge: pumps excess residual water up to a distance of 15 meters.
- Legs are not included and must be ordered separately as an accessory.



EC M 57  
Medium Gourmet 20 g  
Ø 30 x H 34 mm

### CONDENSING SYSTEM

Air cooled

### REFRIGERANT GAS

R290

### VOLTAGE V/Hz/ph

230/50/1

### INTERNAL BIN CAPACITY

12 kg

### CERTIFICATIONS



### OPERATING REQUIREMENTS

	Minimum	Maximum
Air temperature	10	43
Water temperature	5	38
Water pressure	1 bar (14 psi)	5 bar (70 psi)
Electrical voltage	-10	+10

**IMPORTANT NOTICE:**  
Models and specifications are subject to change without notice.  
This spec sheet is meant for commercial purpose only.  
For technical documentation please refer to our service manuals.

Download our free **App Scotsman Ice**  
Apple store  
Google play  
Windows store



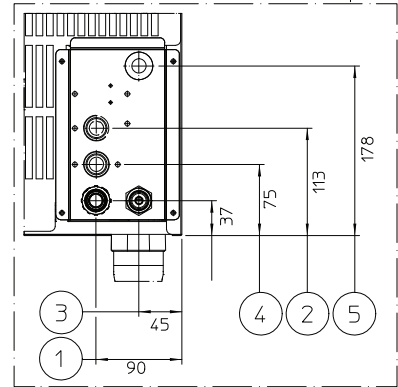
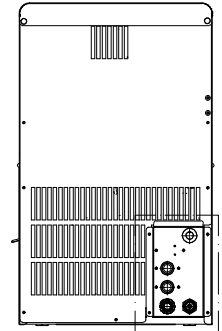
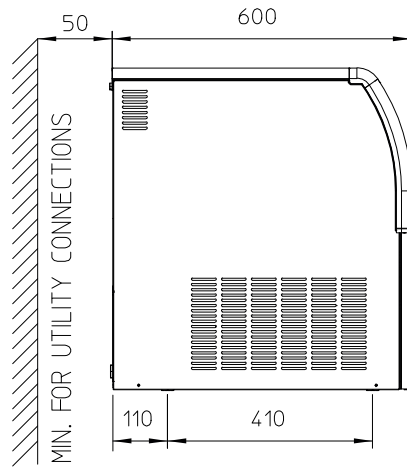
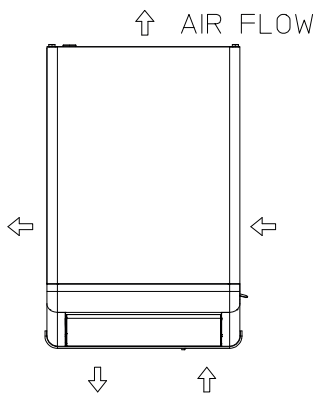
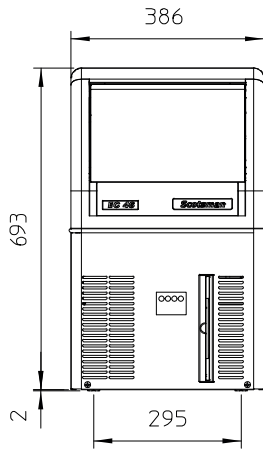
[www.scotsman-ice.it](http://www.scotsman-ice.it)  
[www.scotsman-ice.com](http://www.scotsman-ice.com)

Self Contained Ice Machine 33 kg

## Self Contained Ice Machine 33 kg

Item #:
Project:
Quantity:

Self Contained Ice Machine 33 kg



UNIT OF MEASUREMENT: mm

1. 12/16" OD - WATER OUTLET
2. 3/4" GAS - WATER INLET
3. 3/4" GAS - WATER OUTLET WATER COOLED UNIT ONLY
4. 3/4" GAS - WATER INLET WATER COOLED UNIT ONLY
5. CORD SET

UNIT DATA		SHIPPING DATA									
Size (W x D x H)	386 x 600 x 695 mm	Carton (W x D x H)	460 x 670 x 810 mm								
Net weight	38 kg	Weight	45 kg								
		24 h ice production kg °C Amb. / °C Water			Energy consumption (*)		Water usage (*)	Instant power	Compressor	Circuit wires	Max. fuse size
Version	Voltage	10°C/10°C	21°C/10°C	32°C/21°C	kWh/100 kg	kWh/24h	l/h	W	W	No. x Ømm²	A
ECM 57 AS	230/50/1	33	31	25	27.0	6.6	4.0	370	730	1 x 1.5	10

(\*) Data refer to 32°C Amb. / 21°C Water temperature conditions