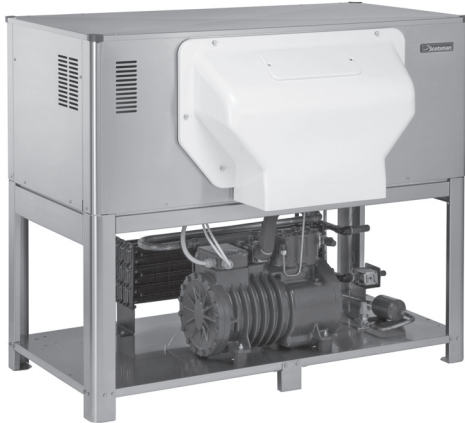


Other models in this range:
 MAR 56 - MAR 76 - MAR 106
 MAR 126 - MAR 206
 Split versions:
 MAR 78 - MAR 128 - MAR 208
 MAR 308

Scale Ice Maker Units up to 2450 Kg



ABS Ice Chute Cover: sold separately.



Gear box protection (hall effect)

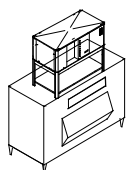
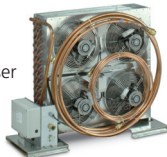


Easy to remove water sump

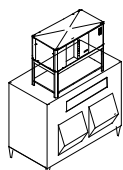


Pulleys & belt system allows to modify ice thickness

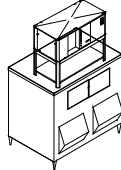
Remote Condenser



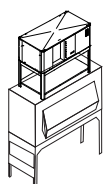
MAR 306+BH1600 (sold separately)



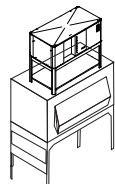
MAR 306+B2250 (sold separately)



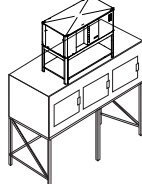
MAR 306+B3200 (sold separately)



MAR 306+ITS2250 (sold separately)



MAR 306+ITS23250 (sold separately)



MAR 306+ICS 3 - ICS 3 SL (sold separately)



Features

- Modular scale ice machine, production up to 2450 Kg in 24h (@ 1 mm. ice thickness)
- Scale ice machine, in "compact system" version; built-in unit
- Storage bin not supplied, to be purchased separately
- AISI304 Stainless steel evaporator and ice scraper blade
- Redesigned evaporator compartment end-walls
- Foodgrade ABS plastic water sump tray, easy remove for cleaning and sanitising
- Electromechanical control panel
- Electrical protections, rotation speed & reverse phase controls
- Low- water sensor protection
- Hermetic compressor
- Choice of air or water cooled condenser
- Drive motor / gear reducer with V-Belt drive
- Storage bin thermostatic ice level sensor
- Stainless steel panels in scotch-brite finish, with rounded corners, easy to remove for maintenance

Accessories & Optional Features (to be specified upon order):

- Ice spout cover (COVERMARL0000)
- Ice chute extension 90cm (KICMAREXT0001)
- Double ice chute 65cm (KICMARDOUBL02)
- Infrared ice sensor (replaces the thermostatic ice level control) ICE SENSOR0003
- UV lamp water sanitising system for bacterial control (KITUVLAMPMARO)
- ON/OFF manual switch, with daily timer (KITTIMER0001)
- ON/OFF manual switch, with weekly programmable timer (KITTIMERSET01)

MAR 306 Technologies



	+C° -C° THICK ICE THIN ICE NOMINAL ONLY	24h [kg] [lbs]		10°C 50°F 10°C 50°F [kg] [lbs]		 [WxDxH mm] 1326x853x1125 [WxDxH inches] 52 3/16 x 33 9/16 x 44 5/16	
		2 mm [kg] [lbs]		1 mm [kg] [lbs]			 400/50/3N R 404 A
		2 mm [kg] [lbs]		0,5 mm [kg] [lbs]			
MAR306 WS		2200	4850	2450	5400	3190	7033
MAR306 WS-SW		2200	4850	2450	5400	3190	7033
MAR306 ASR		2050	4520	2350	5180	2973	6554



Humidity 2%

Ice scales are the coldest form of ice. Formed at -6° to -12°Celsius, they are very dry, containing less than 2% residual water. Scales look like fragments of glass, have an irregular shape and a thickness that can be adjusted at 1 or 2 mm.

This product qualifies for the following listings:



2 Years Warranty

Subject to certain limitations and exclusions

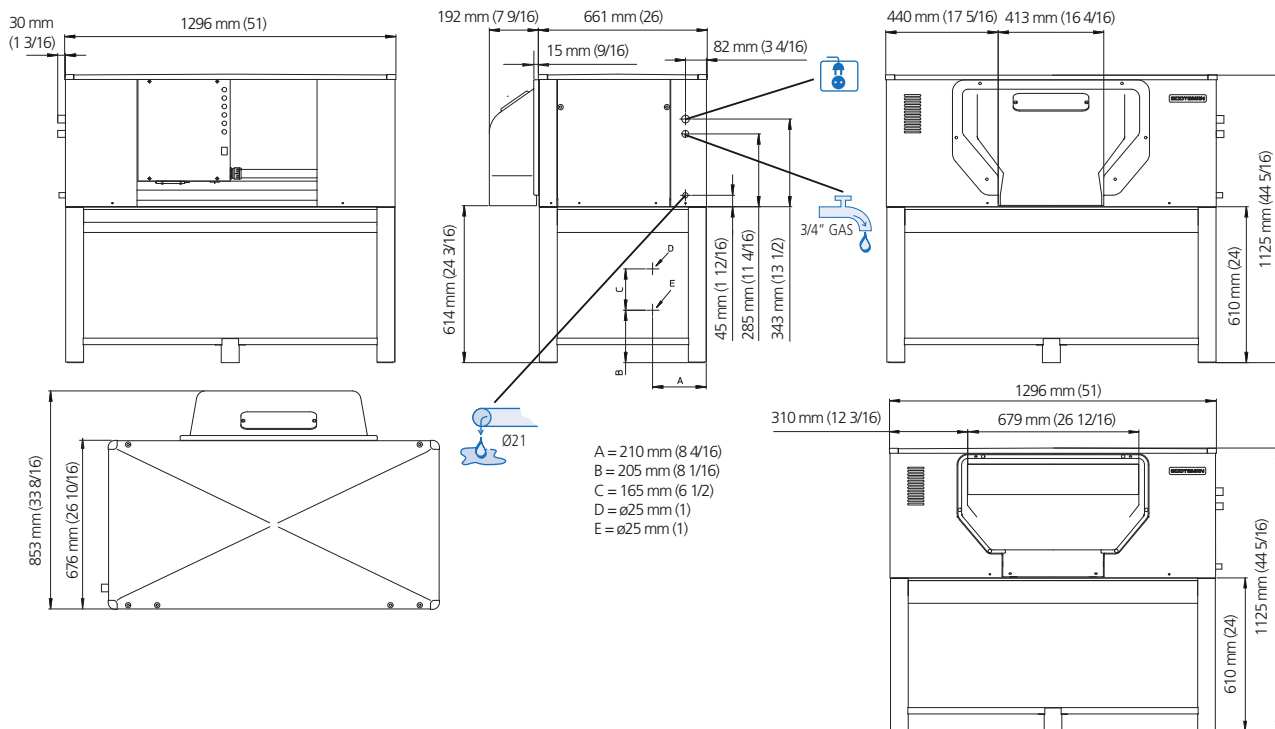
Certified ISO 9001:2000

www.scotsman-ice.it
www.scotsman-ice.com

Models and specifications are subject to change without notice.

Other models in this range:
 MAR 56 - MAR 76 - MAR 106
 MAR 126 - MAR 206
 Split versions:
 MAR 78 - MAR 128 - MAR 208
 MAR 308

Scale Ice Maker Units up to 2450 Kg



MAR 306 ASR

°C °F	°C				kg
	50°	60°	70°	90°	
10°	2050	2000	1950	1900	kg
50°	4520	4410	4300	4190	lbs
21°	1980	1940	1900	1860	kg
70°	4366	4278	4190	4101	lbs
32°	1780	1740	1700	1660	kg
90°	3925	3837	3749	3660	lbs
38°	1650	1610	1570	1530	kg
100	3638	3550	3462	3374	lbs



WITH THICK ICE SETTINGS

MAR 306 WS-SW

°C °F	°C				kg
	50°	60°	70°	90°	
10°	2200	2100	2000	1800	kg
50°	4850	4631	4410	3969	lbs



WITH THICK ICE SETTINGS



Minimum

Maximum

10°C (50°F)

40°C (104°F)

5°C (41°F)

35°C (95°F)

-10%

+10%

1 BAR
14 psi

5 BAR
70 psi

	Icon	(T cond.+45°C - T evap.-25°C) ASERCOM Conditions [W] [Btu/h]	[Ø mm²] [AWG]	[W]	FUSE	[kWh] - 100 Kg	[l/h]	[gal/h]	[kg] [lbs]	[kg] [lbs]
MAR306 WS	Water	13300 45380	5x4 AWG11	9000	32 A	10,8	2000	528	390 860	413 910
MAR306 WS-SW*	Water	13300 45380	5x4 AWG11	9000	32 A	10,8	2000	528	390 860	413 910
MAR306 ASR	Air	13300 45380	5x4 AWG11	10000	32 A	14,1	70,8	18,7	360 794	383 844

*SW sea water cooling only

CONTACT POINTS:

Europe
 Scotsman Europe-Frimont S.p.A.
 Via Puccini, 22
 20010 Pogliano (Milano) Italy
 Ph: (+39) 02-93960208
 Fax: (+39) 02-93960201
 scotsman.europe@frimont.it

Asia and Pacific
 Scotsman Ice Systems-Frimont S.p.A. (R.O.)
 627A Aljunied Road-#04-04 Biztech Centre
 Singapore 389842
 Ph: (+65) 6738 5393
 Fax: (+65) 6738 1959
 scotsice@singnet.com.sg

China
 Scotsman Ice Systems (Shanghai)
 Room 2503, Building 2
 20 Xuhong Middle Road, Xuhui District
 Shanghai China 200235
 Main line: (+86) 21 61313200
 Fax: (+86) 21 61313330
 scotsman.shanghai@scotsman-china.com

Middle East & N. Africa
 Scotsman Ice Systems Dubai Office
 P.o. Box 21648
 Sharjah - U.A.E.
 Ph: (+97) 16-5773-164
 Fax: (+97) 16-5773-165
 scotsman@eim.ae

South Africa
 Scotsman Ice Systems SA (PTY) Ltd.
 10, Rhodes Street - Kensington B
 P.o. Box 44 - Riverclub 2149
 Ph: (+27) 11-7898400
 Fax: (+27) 11-7898411
 scotsman@telkomsa.net

Spain
 Scotsman España, S.L.U. c/ Galapagar, 12
 Poligono Industrial Ventorro del Cano
 28925 Alcorcon (Madrid)
 Ph: +34-91-1109796
 Fax: +34-91-6337423
 E-mail: scotsman@scotsman-espana.es
 www.scotsman-espana.es