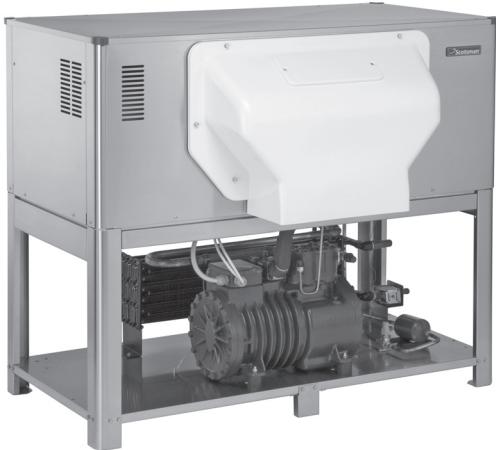


Other models in this range:
 MAR 56 - MAR 76 - MAR 106
 MAR 126 - MAR 306
 Split versions:
 MAR 78 - MAR 128 - MAR 208
 MAR 308

Scale Ice Maker Units up to 1850 Kg



ABS Ice Chute Cover: sold separately.



Gear box protection (hall effect)



Easy to remove water sump



Pulleys & belt system allows to modify ice thickness



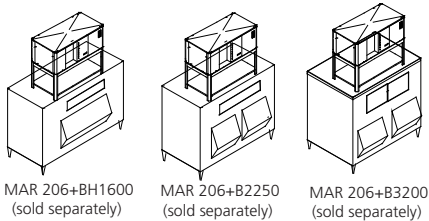
Features

- Modular scale ice machine, production up to 1850 Kg in 24h (@ 1 mm. ice thickness)
- Scale ice machine, in "compact system" version; built-in unit
- Storage bin not supplied, to be purchased separately
- AISI304 Stainless steel evaporator and ice scraper blade
- Redesigned evaporator compartment end-walls
- Foodgrade ABS plastic water sump tray, easy remove for cleaning and sanitising
- Electromechanical control panel
- Electrical protections, rotation speed & reverse phase controls
- Low- water sensor protection
- Hermetic compressor
- Choice of air or water cooled condenser
- Drive motor / gear reducer with V-Belt drive
- Storage bin thermostatic ice level sensor
- Stainless steel panels in scotch-brite finish, with rounded corners, easy to remove for maintenance

Accessories & Optional Features (to be specified upon order):

- Ice spout cover (COVERMARL0000)
- Ice chute extension 90cm (KICMAREXT0001)
- Double ice chute 65cm (KICMARDOUBL02)
- Infrared ice sensor (replaces the thermostatic ice level control) ICE SENSOR0003
- UV lamp water sanitising system for bacterial control (KITUVLAMPMARO)
- ON/OFF manual switch, with daily timer (KITTIMER0001)
- ON/OFF manual switch, with weekly programmable timer (KITTIMERSET01)

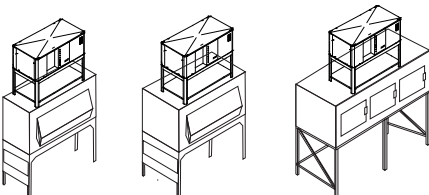
MAR 206 Technologies



MAR 206+BH1600 (sold separately)

MAR 206+B2250 (sold separately)

MAR 206+B3200 (sold separately)



MAR 206+ITS2250 (sold separately)

MAR 206+ITS3250 (sold separately)

MAR 206+ICS 3 - ICS 3 SL (sold separately)

			THICK ICE		THIN ICE		NOMINAL ONLY		 [WxDxH mm] 1326x853x1125 [WxDxH inches] 52 3/16 x 33 9/16 x 44 5/16
			2 mm		1 mm		0,5 mm		
			[kg]	[lbs]	[kg]	[lbs]	[kg]	[lbs]	
MAR206 AS			1570	3461	1700	3748	2291	5051	 [v/Hz/ph] 400/50/3N R 404 A
MAR206 WS			1650	3638	1850	4079	2393	5276	
MAR206 WS-SW			1650	3638	1850	4079	2393	5276	

This product qualifies for the following listings:



2 Years Warranty

Subject to certain limitations and exclusions



Humidity 2%

Ice scales are the coldest form of ice. Formed at -6° to -12°Celsius, they are very dry, containing less than 2% residual water. Scales look like fragments of glass, have an irregular shape and a thickness that can be adjusted at 1 or 2 mm.

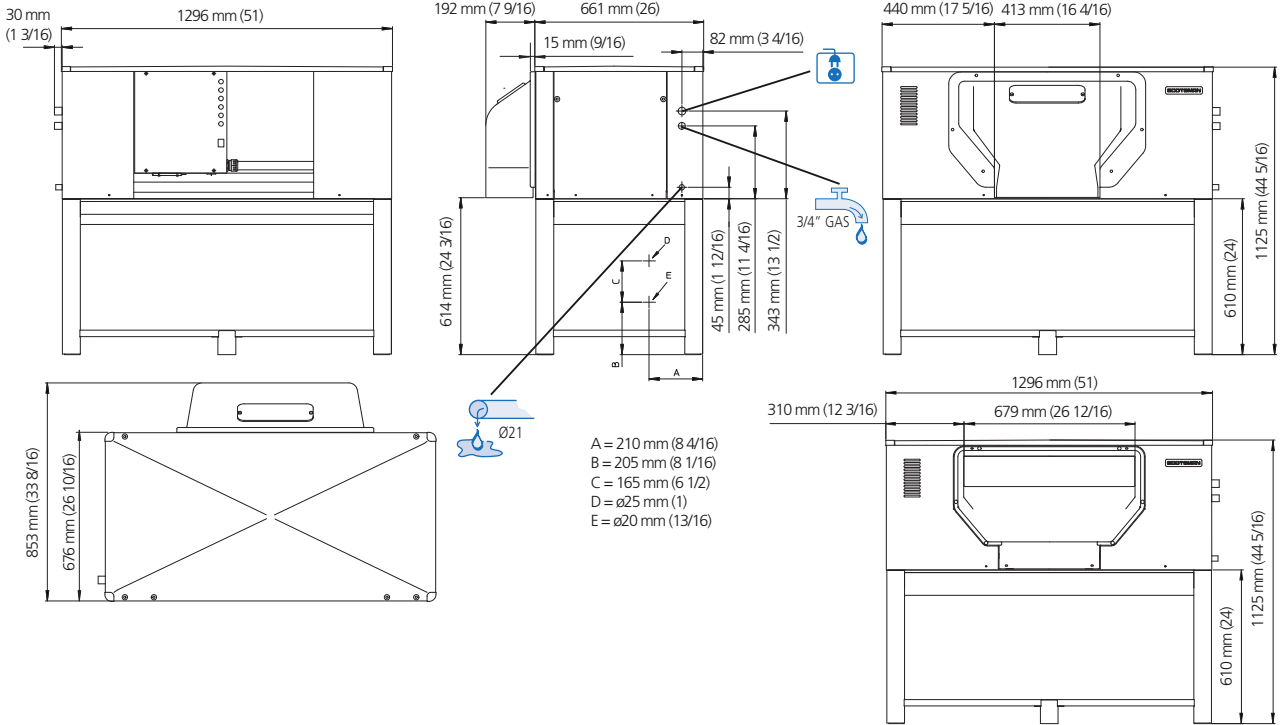
Certified ISO 9001:2000

www.scotsman-ice.it
www.scotsman-ice.com

Models and specifications are subject to change without notice.

Other models in this range:
 MAR 56 - MAR 76 - MAR 106
 MAR 126 - MAR 306
 Split versions:
 MAR 78 - MAR 128 - MAR 208
 MAR 308

Scale Ice Maker Units up to 1850 Kg



MAR 206 AS

°C / °F	50° 10°	60° 15°	70° 21°	90° 32°	
10°	1570	1480	1390	1210	kg
50°	3461	3236	3064	2668	lbs
21°	1540	1450	1360	1180	kg
70°	3395	3197	2998	2601	lbs
32°	1480	1390	1300	1120	kg
90°	3263	3064	2866	2469	lbs
38°	1460	1370	1280	1100	kg
100	3219	3020	2822	2425	lbs



WITH THICK ICE SETTINGS

MAR 206 WS

°C / °F	50° 10°	60° 15°	70° 21°	90° 32°	
10°	1650	1600	1500	1300	kg
50°	3638	3527	3307	2866	lbs



WITH THICK ICE SETTINGS



Minimum

10°C (50°F)

5°C (41°F)

-10%

1 BAR
14 psi

Maximum

40°C (104°F)

35°C (95°F)

+10%

5 BAR
70 psi

	 [W] [Btu/h]	 (T cond.+45°C - T evap.-25°C) ASERCOM Conditions	 [Ø mm²] [AWG]	 [W]	 FUSE	 [kWh] - 100 Kg	 [l/h]	 [gal/h]	 [kg] [lbs]	 [kg] [lbs]
MAR206 AS	7100 24200		5x2,5 AWG13	7000	24 A	13,1	54 14,3	387 858	374 825	
MAR206 WS	7100 24200		5x2,5 AWG13	6000	24 A	9,6	1200 317	347 765	369 814	
MAR 206 WS-SW*	7100 24200		5x2,5 AWG13	6000	24 A	9,6	1200 317	347 765	369 814	

*SW sea water cooling only

CONTACT POINTS:

Europe
 Scotsman Europe-Frimont S.p.A.
 Via Puccini, 22
 20010 Pogliano (Milano) Italy
 Ph: (+39) 02-93960208
 Fax: (+39) 02-93960201
 scotsman.europe@frimont.it

Asia and Pacific
 Scotsman Ice Systems-Frimont S.p.A. (R.O.)
 627A Aljunied Road-#04-04 Biztech Centre
 Singapore 389842
 Ph: (+65) 6738 5393
 Fax: (+65) 6738 1959
 scotsice@singnet.com.sg

China
 Scotsman Ice Systems (Shanghai)
 Room 2503, Building 2
 20 Xuhong Middle Road, Xuhui District
 Shanghai China 200235
 Main line: (+86) 21 61313200
 Fax: (+86) 21 61313330
 scotsman.shanghai@scotsman-china.com

Middle East & N. Africa
 Scotsman Ice Systems Dubai Office
 Po. Box 21648
 Sharjah - U.A.E.
 Ph: (+97) 16-5773-164
 Fax (+97) 16-5773-165
 scotsman@eim.ae

South Africa
 Scotsman Ice Systems SA (PTY) Ltd.
 10, Rhodes Street - Kensington B
 Po. Box 44 - Riverclub 2149
 Ph: (+27) 11-7898400
 Fax (+27) 11-7898411
 scotsman@telkomsa.net

Spain
 Scotsman España, S.L.U. c/ Galapagar, 12
 Poligono Industrial Ventorro del Cano
 28925 Alcorcon (Madrid)
 Ph: +34-91-1109796
 Fax: +34-91-6337423
 E-mail: scotsman@scotsman-espana.es
 www.scotsman-espana.es